

PHBN172558-GD

Perfect optical design achieves more energy saving



Product Features

- Easily for installation and maintenance with simple structure and elegant design
- Using the latest Gen6 Module and Xitanium driver, which can realize no stroboscopic light dimming
- Flexible and adaptable to store layout changes by means of accessories
- Smooth reflector; highly reflective aluminised finish for zero iridescence

Main application

- Goods shelf
- Merchandise display
- Public area
- Exhibition hall

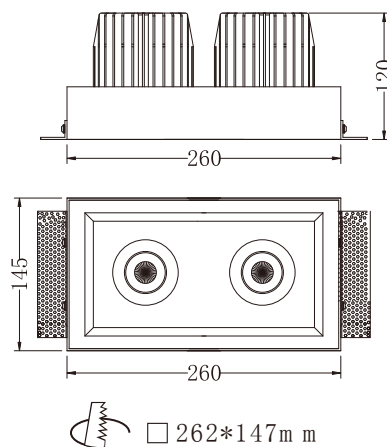
Technical specifications

Product item	PHBN172558-GD-1	PHBN172558-GD-2
Installation	Recessed	
Housing color	BK, WH	
Power supply	220-240VAC/50-60Hz	
Watt(W)	2*21	2*32
Lumen LED(lm)	2*2520	2*3840
System efficacy(lm/w)	>90	
CCT	2700K,3000K,3500k,4000K,5000K	
CRI	80, 90	
SDCM	«3	
Beam angle(°)	15, 24, 36	15, 24, 36
Lifetime	50,000 hrs	
Protection class	IP20	
Material	Aluminun	



Product dimension(mm)

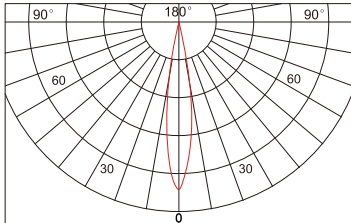
PHBN172558-GD



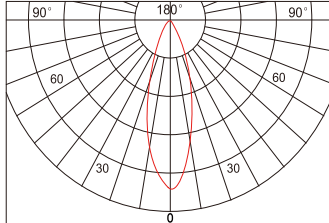
Photometric Data

PHBN172558-GD-1

LED COB 15°



LED COB 24°



Order info	COB	Driver output	Beam angle	Lumen LED(lm)	CCT
PHBN172558-GD-1	Gen6	2*500mA	15,24,36	2*2520	2700k/3000k/3500k 4000k/5000k
PHBN172558-GD-2	Gen6	2*700mA	15,24,36	2*3840	2700k/3000k/3500k 4000k/5000k