

PHBN170809-OL

Create a pleasant atmosphere of visual quality and comfortable light levels



Product Features

- The aluminum alloy light body make the system more stable
- A grade spraying process on surface, not easy to discoloration and durable
- Concise design achieve lamp can be used on the shorter space at the top
- Compatible with smart systems like POE system, Dynaite system,ect

Main application

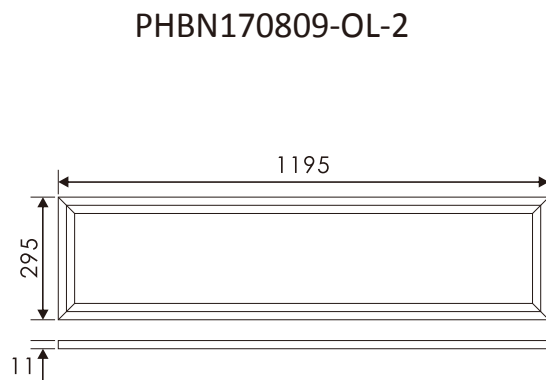
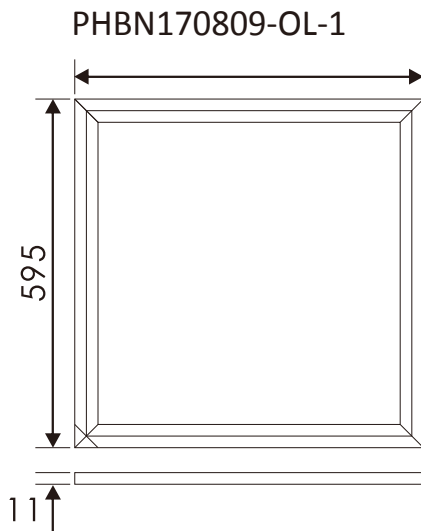
- Reception area
- Open plan office
- Meeting room
- Individual office
- Healthcare
- Education

Technical specifications

Product item	PHBN170809-OL-1	PHBN170809-OL-2	PHBN170809-OL-2
Installation	Recessed, suspension, surface-mounted		
Housing color	WH		
Power supply	220-240VAC/50-60Hz		
Watt(W)	36	36	60
Lumen output(lm)	2880	2880	4800
System efficacy(lm/w)	80	80	80
CCT	3000K,4000K,6000K		
CRI	» 80		
Size(mm)	595*595*11	1195*295*11	1195*595*11
Cut-out(mm)	579*579	1179*279	1179*579
Lifetime	30,000		
Protection class	IP20		
Material	Aluminum alloy,PMMA		

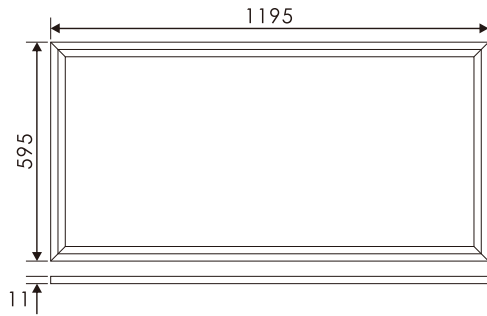


Product dimension(mm)



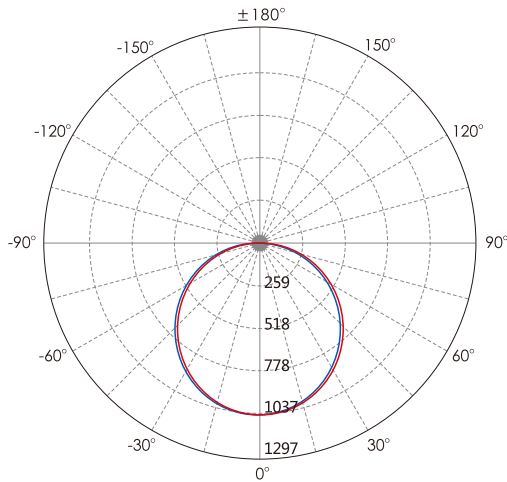
Product dimension(mm)

PHBN170809-OL-3



Photometric Data

PHBN170809-OL-1



Order info	Wattage(W)	CCT	Packing Size(mm)	Packing quantity/box(pcs)
PHBN170809-OL-1	36	3000k/4000k/ 6000k	67.5*21*65.5	5
PHBN170809-OL-2	36	3000k/4000k/ 6000k	128*20*33.5	5
PHBN170809-OL-3	60	3000k/4000k/ 6000k	128*8*63.5	2