

PHBN170865-TP

## Lower maintenance and energy costs



### Product Features

---

- Die-cast extruded aluminum body
- Selected specialized diffuser
- An economical choice with a beneficial payoff time

### Main application

---

- Parking garage

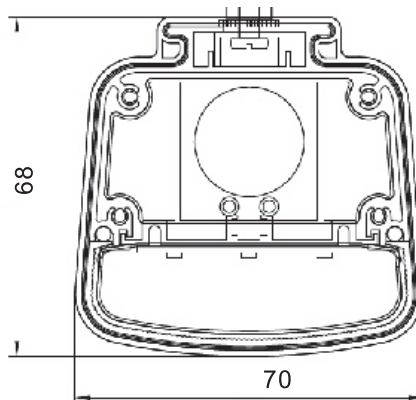
## Technical specifications

Product item	PHBN170865-TP
Installation	Recessed
Housing color	WH
Power supply	220-240VAC/50-60Hz
Watt(W)	40
Lumen LED(lm)	3200
System efficacy(lm/w)	80
CCT	3000K,4000K,6000K
CRI	» 80
Size(mm)	1135*70*68
Cut-out(mm)	-
Lifetime	30,000 hrs
Protection class	IP65
Material	Alumimun



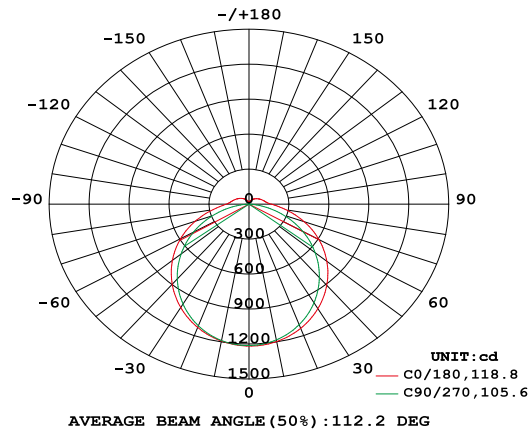
## Product dimension(mm)

PHBN170865-TP



# Photometric Data

## PHBN170865-TP



Order info	Wattage(W)	CCT	Packing Size(mm)	Packing quantity/box(pcs)
PHBN170865-TP	40	3000k/4000k/ 6000k	120*31*17	8